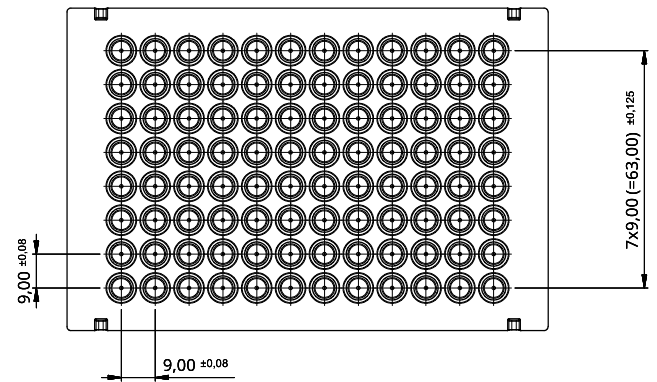
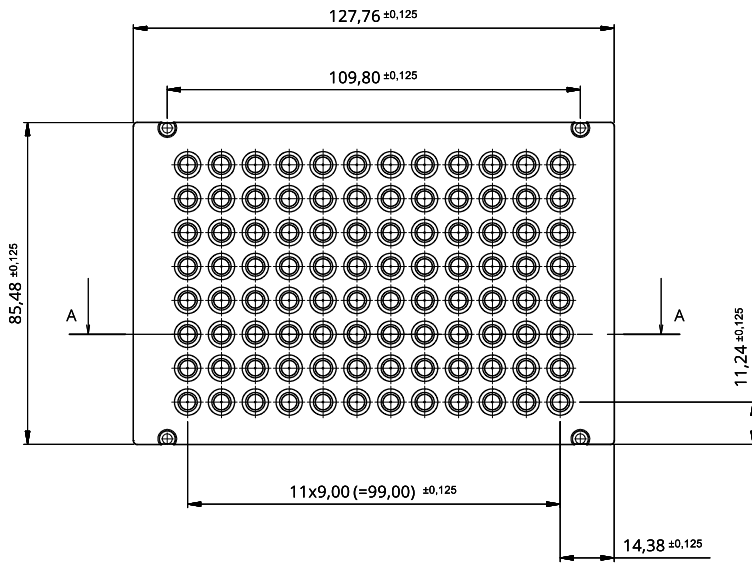
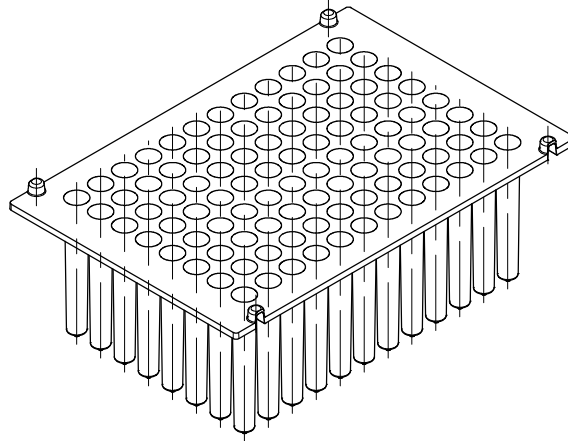
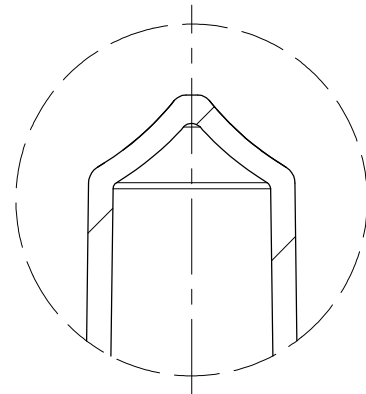


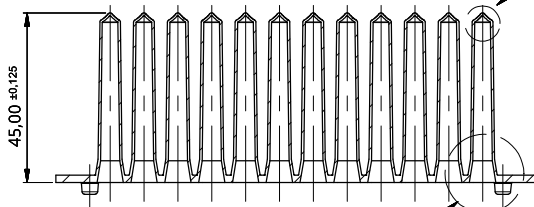
978-KF-Comb



Detail "Y" M 10:1

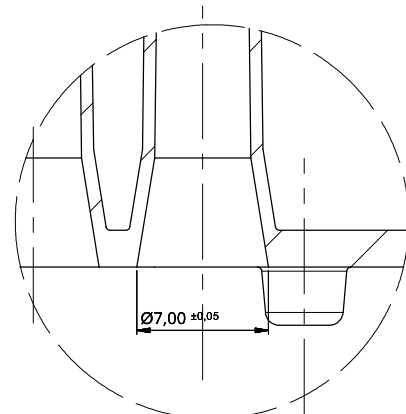


Detail "Y"

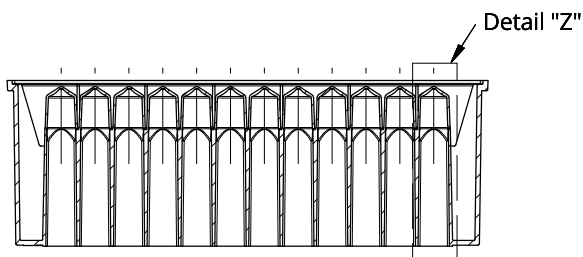
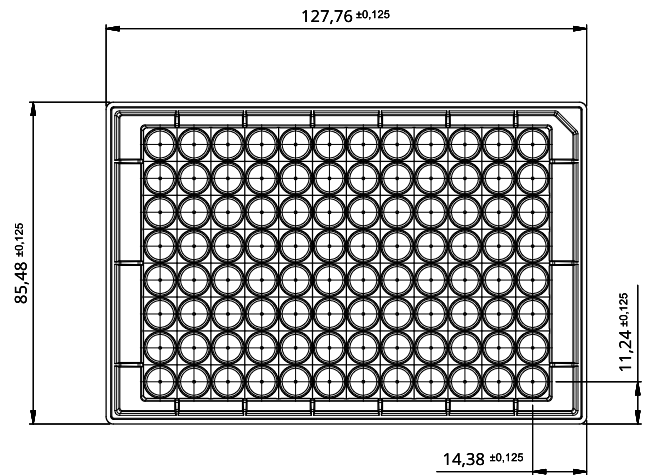
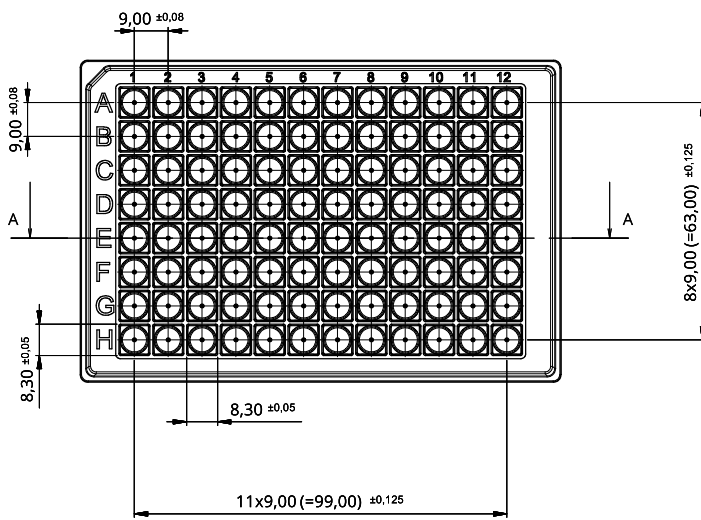
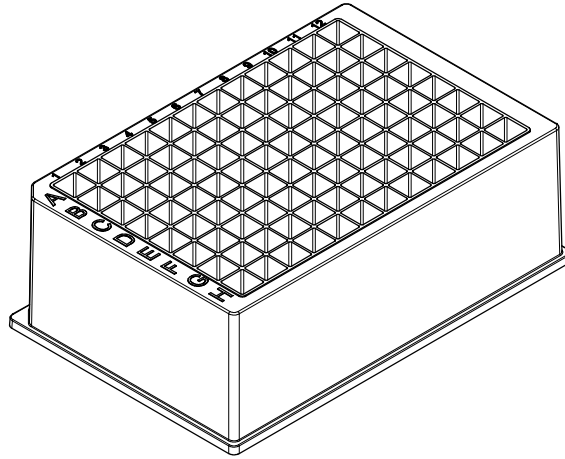


Detail "Z"

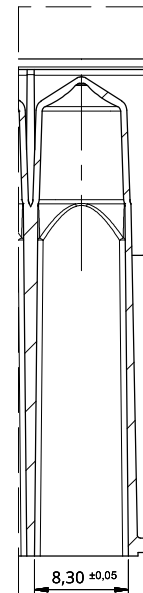
Detail "Z" M 5:1



978-KF-Deepwell



Detail "Z" M 3:1



978-KF-Elution

