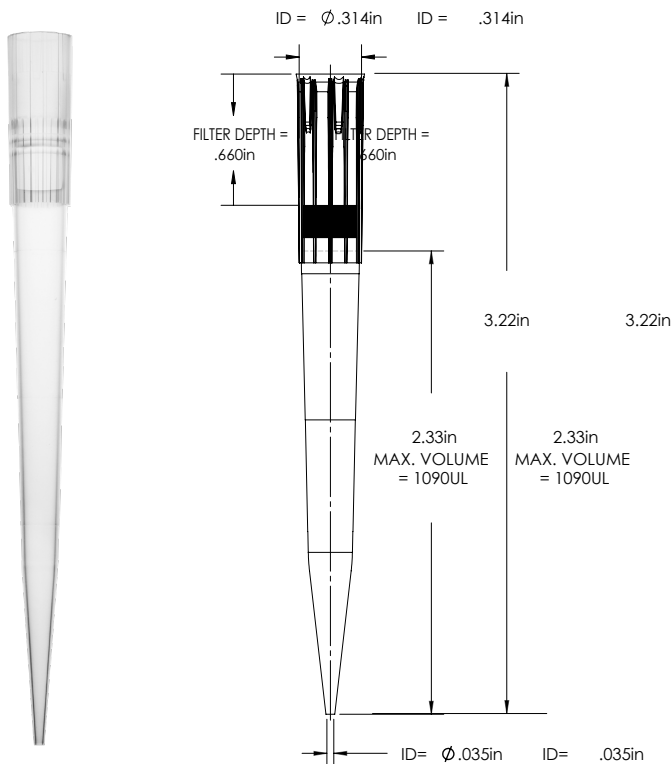
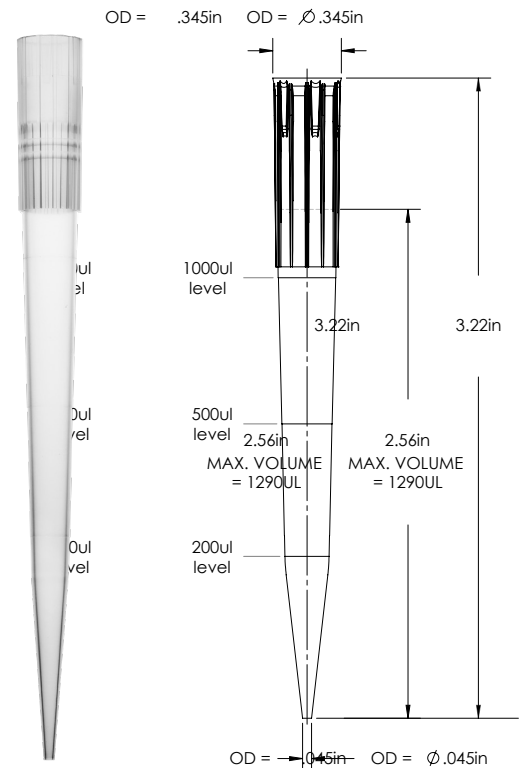


Series	BT1000 Series 1000 µl Barrier Tip		2160 Series 1000 µl Universal Tip		
Part Number	BT1000.96 BT1000.96.N		2160	2167.96 2167.96.S	2162.96 2162.96.S
Graduation Marks	Graduation marks are indicated at both 100 µl, 200 µl and 500 µl locations Refer to product image for visuals				
Tip Composition	Neptune pipette tips are made of virgin polypropylene				
Tip Type	Natural Polypropylene and S ³ - Low Retention		Natural Polypropylene		
Filter Material	High Density Polyethylene Filter		Non-Filtered Products		
Offered in Sterile Format	Yes	No	Yes		
Configuration	Racked	Bulk	ESP Reload	Racked	
Packaging Breakdown	96 tips/ rack 8 racks/ pack 4 packs/ case	1000 tips/ bag 4 bags/ case	96 tips/ card 10 cards/ pack 5 packs/ case	96 tips/ rack 8 trays/ pack 4 packs/ case	
Autoclavable	No	Autoclavable at 120 °C for 10-15 minutes at 15 PSI			
Storage Condition	Store in a clean, dry environment at room temperature 15-30 °C				

BT1000 Series



2160 Series



Product Specification Sheet

Quality Control:

Certificates of Compliance	Each lot undergoes stringent inspection and individual lot testing ensures Neptune products are certified RNase, DNase, DNA and Endotoxin-free. Visit www.neptunescientific.com to obtain a copy of a certificate of compliance for your Neptune product.
RNase/ DNase	Products are washed in distilled water and concentrated via centrifugation. Samples are added to previously established nucleic acid standards, incubated for one hour at 37°C, and tested on a 2% gel using electrophoresis. Products must show no degradation of standards to pass. Test sensitivity is 10-7 Kunitz units/μl.
Nucleic Acid	Products are washed in distilled water and concentrated via centrifugation. Then, samples are added to protocol specified PCR reactions and thermal cycled for 50 cycles. A 2% agarose gel electrophoresis is used to examine experimental samples, positive controls, and negative controls. To pass, product samples must show no DNA amplification. Test sensitivity is 10 ng.
Endotoxin/ Pyrogen	Products are tested for endotoxins by using the Limulus Amebocyte Lysate (LAL) gel assay according to FDA guidelines. Test sensitivity is 0.06 EU/ml.
Sterilization	Products are sterilized using electron beam irradiation.
Traceability	Each product contains a 5 digit lot number located on the rack, pack and case of each finished good. With Neptune's advanced manufacturing process all raw materials are able to be traced for maximum quality assurance.

Advancements in Liquid Handling

S³	Neptune's exclusive S ³ polymer was designed to increase pipetting accuracy by virtually eliminating tip retention and sample hold-up.
ESP Reload	Neptune's ESP (Environmental Sustainable Pack) was the industry's first pipette reload system designed to minimize plastic waste by 90% and provide an environmentally friendly solution.
Aerosol Barrier Tip	Specifically engineered to reduce cross contamination.

Pipettor Compatibility:

Biohit Proline™ 1000 μl
 Brand Transferpette™ 1000 μl
 CLP Beta-Pette™ 1000 μl
 CLP Poseidon™ 1000 μl
 CLP Poseidon Electronic™ 1000 μl
 Eppendorf Reference™ 1000 μl

Eppendorf Research™ 1000μl
 Eppendorf Research Plus™ 1000 μl
 Eppendorf Xplorer™ 1000 μl
 FinnpiPETTE™ 1000 μl and 1200 μl
 Gilson Pipetman™ P1000
 Hamilton™ 1000 μl

Labnet BioPette E™ 1200 μl
 Nichiryo Nichipet EX™ 1000 μl
 Socorex Calibri 822™ 1000 μl
 VWR Ergonomic High Performance™ 1000 μl
 VWR Ultra High Performance™ 1000 μl